

|                                     |                                   |   |
|-------------------------------------|-----------------------------------|---|
| <b>Product Ident</b><br>LR3 60-3/63 | <b>Line-Reactor<br/>Datasheet</b> |  |
|-------------------------------------|-----------------------------------|---|

### Identification

|                  |                    |                 |                        |
|------------------|--------------------|-----------------|------------------------|
| Type Designation | <b>LR3 60-3/63</b> | Type of reactor | <b>3~ Line Reactor</b> |
| Series           | <b>LR3</b>         | Core Rating     | <b>2109.75 var</b>     |
| Core type        | <b>3UI 90/51.5</b> | Drive HP        | <b>40 - 50</b>         |


### Technical Data

|                        |        |                  |
|------------------------|--------|------------------|
| No. of phase           |        | <b>3</b>         |
| Circuit type           |        | <b>III0</b>      |
| Rated Voltage          | [ V ]  | <b>600</b>       |
| Rated current          | [ A ]  | <b>63.0</b>      |
| Rated Frequency        | [ Hz ] | <b>50 - 60</b>   |
| Impedance              | [ % ]  | <b>3.2</b>       |
| Inductance L           | [ mH ] | <b>0.470</b>     |
| L tolerance            | [ % ]  | <b>±10%</b>      |
| Linearity              |        | <b>150% In</b>   |
| Test voltage           | [ kV ] | <b>4.0</b>       |
| Isolation System Class |        | <b>Class 155</b> |



### Operating conditions

|                      |        |                      |
|----------------------|--------|----------------------|
| Ambient temperature  | [ °C ] | <b>-10 ... +40°C</b> |
| Ambient temperature  | [ F ]  | <b>14 ... 104°F</b>  |
| Type of cooling      |        | <b>AN</b>            |
| Operating conditions |        | <b>24/7</b>          |

### Standards

|   |   |
|---|---|
| Type:   | Signs   |
| VDE 0570 / EN 61 558 Part 1<br>VDE 0570 / EN 61 558 Part 20 |  |

### Approvals

|           |   |      |
|-----------|---|------|
| UL 508    |  E219022 | NMTR |
| UL 5085-1 |  E103521 | XPTQ |

Variations may apply due to material's and production's tolerances. Objected to modifications without notice.

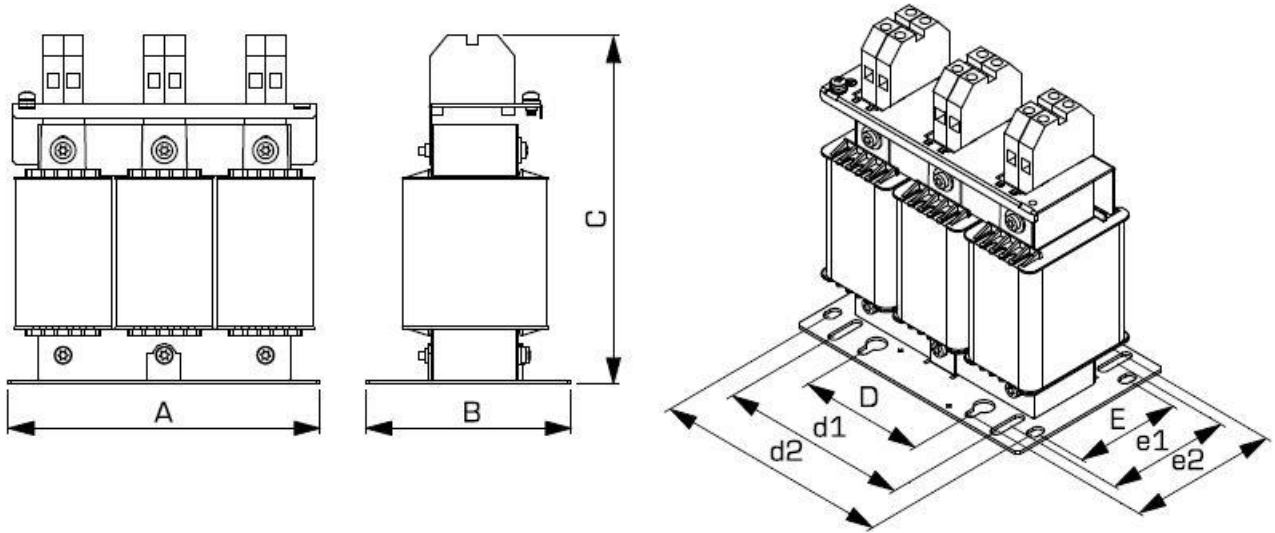
|                |          |  |           |        |
|----------------|----------|--|-----------|--------|
| Original Date: | 15/04/17 | Observe protection clause to ISO 16016 | Index     | 0      |
| Name:          | Lüning   |  | Doc. type |        |
| Date:          | 15/05/06 |  |           |        |
| Checked:       | Wesner   |  | Pages     | 1 of 2 |

**Product Ident**  
LR3 60-3/63

# Line-Reactor Datasheet



## Dimensions / Mounting in Inches



| A    | B    | C*   | F | D    | d1   | d2   | E    | e1   | e2   | Drill |
|------|------|------|---|------|------|------|------|------|------|-------|
| 7.28 | 4.80 | 8.15 | - | 3.54 | 5.35 | 6.70 | 4.06 | 3.54 | 3.00 | 0.31  |
|      |      |      |   |      |      |      |      |      |      | 0.28  |
|      |      |      |   |      |      |      |      |      |      | 0.31  |

\* = Typical variable air gab

## Weight

|        |         |              |
|--------|---------|--------------|
| Weight | [ kg ]  | <b>9.65</b>  |
|        | [ lbs ] | <b>21.27</b> |

## Notes

Technical specifications in the drawing are not binding. General tolerance to DIN 7168-m. Subject to change.  
Mounting plates also available in stainless steel as OEM application. Ask for details.

|                |          |  |           |        |
|----------------|----------|--|-----------|--------|
| Original Date: | 15/04/17 | Observe protection clause to ISO 16016 | Index     | 0      |
| Name:          | Lüning   |  | Doc. type |        |
| Date:          | 15/05/06 |  |           |        |
| Checked:       | Wesner   |  | Pages     | 2 of 2 |